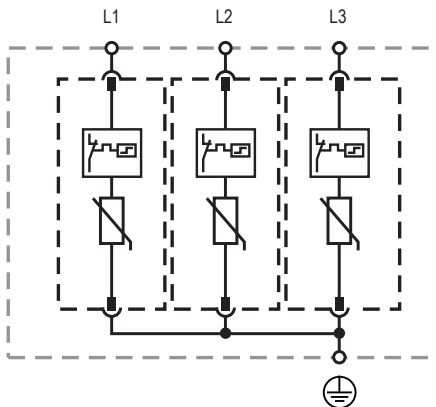


## Surge Arrestor Type 11.

Part numbers: GPT T2-300-2-0-R



Location of Use: Sub-Distribution Boards  
 Network Systems: TN-C  
 Mode of Protection: L-PEN  
 Surge Ratings:  $I_n = 20\text{ kA} (8/20 \mu\text{s})$   
 IEC/EN/UL Category: Class II / Type 2 / Type 1CA  
 Protective Elements: High Energy MOV  
 Housing: Pluggable Design  
 Compliance: IEC 61643-11:2011  
 EN 61643-11:2012  
 UL 1449 4th Edition

### Technical Data

(1 - 4 Poles)

#### IEC Electrical

Nominal AC Voltage (50/60Hz)	$U_o/U_n$	240V
Maximum Continuous Operating Voltage (AC)	$U_c$	300V
Nominal Discharge Current (8/20 $\mu\text{s}$ )	$I_n$	20 kA
Maximum Discharge Current (8/20 $\mu\text{s}$ )	$I_{max}$	50 kA
Voltage Protection Level	$U_p$	1500V
Response Time	$t_A$	
Back-Up Fuse (max)		
Short-Circuit Current Rating (AC)	$I_{SCCR}$	337V
TOV Withstand 5s	$U_T$	442V
TOV 120min	$U_T$	Safe Fail
	mode	

#### UL Electrical

Maximum Continuous Operating Voltage (AC)	MCOV	300V
Voltage Protection Rating	VPR	900V
Nominal Discharge Current (8/20 $\mu\text{s}$ )	$I_n$	20 kA
Short-Circuit Current Rating (AC)	SCCR	150 kA

#### Mechanical & Environmental

Operating Temperature Range	$T_a$	-40 °F to +185 °F [-40 °C to +85 °C]
Permissible Operating Humidity	RH	5%...95%
Altitude		13123 ft [4000m]
Terminal Screw Torque	$M_{max}$	39.9 lbf-in [4.5Nm]
Conductor Cross Section (max)		2 AWG (Solid, Stranded) / 4 AWG (Flexible) 35mm <sup>2</sup> (Solid, Stranded) / 25mm <sup>2</sup> (Flexible)
Mounting		35mm DIN Rail, EN 60715
Degree of Protection		IP 20 (built-in)
Housing Material		Thermoplastic: Extinguishing Degree UL 94 V-0
Thermal Protection		Yes
Operating State / Fault Indication		Green Flag / Not Green Flag
Remote Contacts (RC)		Optional
RC Switching Capacity		AC: 250V/1A, 125V/1 A; DC: 48V/0.5A, 24V/0.5A, 12V/0.5A
RC Conductor Cross Section (max)		16 AWG (Solid) / 1.5mm <sup>2</sup> (Solid)



Dokument/document		Utgava datum/edition date
Försäkran om överensstämmelse/ Declaration of conformity		2016-06-29
Avdelning/department		
Kvalite/Quality		
Ansvarig/prepared	Version	Sida/page
Magnus Arvidsson	2	1 av/of 1

Supplier/Tillverkare:

*GARO AB*  
*Box 203*  
*S-335 25 GNOSJO*  
*Sweden*

Telephone: +46 (0)370 33 28 00  
Telefax: +46 (0)370 33 28 50

Supplier established within EU/Ombud etablerad inom EG

Supplier of equipment /Materielslag : Surge Protection Devices

Trade Mark/ Varumärke: GARO

Type Designation / Typbeteckning: GPT T2

We hereby declare that our product fulfils the requirements of following EC directives/  
Vi intygar härmed att vår produkt uppfyller krav enligt följande EU direktiv:

- The Low Voltage Directive (LVD) 2014/35/EU I Lågspänningsdirektivet (LVD) 2014/35/EU.
- Electromagnetic compatibility (EMC) 2004/108/EU /Elektromagnetisk kompatibilitet (EMC) 2004/ 108/EG.
- RoHS Directive (RoHS) 2011/65/EU /RoHS direktivet (RoHS) 2011/65/EG.
- No electromagnetic compatibility (EMC) immunity or emission tests are required on the assembly/Produkten innehåller inte elektroniska apparater som påverkas enligt förbehållen enligt direktivet (EMC) 2004/108/EG.

The following harmonised standards (latest edition) or technical specifications which comply with good engineering practice in safety matters in force within the EU have been used in the design: EN61643-1  
Följande harmoniserade standarder (senaste utgåva) eller tekniska specifikationer som uppfyller god säkerhetsteknik praxis inom EG har använts i konstruktionen: EN 61643-1

The equipment conforms completely with the above stated harmonised standards or technical specifications./  
Materielen överensstämmer helt med ovan angivna harmoniserade standarder eller tekniska specifikationer.

Or/eller

- The equipment confirms only partially with the above stated harmonised standards or technical specifications but complies with good practice in safety matters in force within the EU./  
Materielen överensstämmer endast delvis med ovan angivna harmoniserade standarder eller tekniska specifikationer, men uppfyller god säkerhetsteknik praxis inom EG.

We have product surveillance according to CENELEC's harmonised requirements, documents CCA-201.

Garo AB  
Company/Företag

2016-06-29  
Date/Datum

Sign/Underskrift

Environmental- and Quality Manager/Kvalitets- och Miljöchef  
Position/Befattning

Magnus Arvidsson  
Name / Namnförtydligande